

The background is a dark teal color with a pattern of lighter teal diagonal lines and several large, semi-transparent teal circles of varying sizes scattered across the page.

Optics
Shinland

Each Ray is brighter in Shinland

SL-RF-AO-062A

Details

Material:	PC
Process:	Vacuum Aluminum Plating
Diameter:	62mm
Heigh:	28mm
Matched Holder:	Shinland's series AD holders
Matched Cover:	SL-PL-AD-030C
ROHS Compliant:	YES
Status:	Ready

Optical Properties

Code	Typ. Angle	Typ. efficiency
SL-PL-AO-062A-S	16°~22°	88%
SL-PL-AO-062A-M	23°~28°	88%
SL-PL-AO-062A-F	32°~37°	88%

Photo



Matched LED type

CLU028

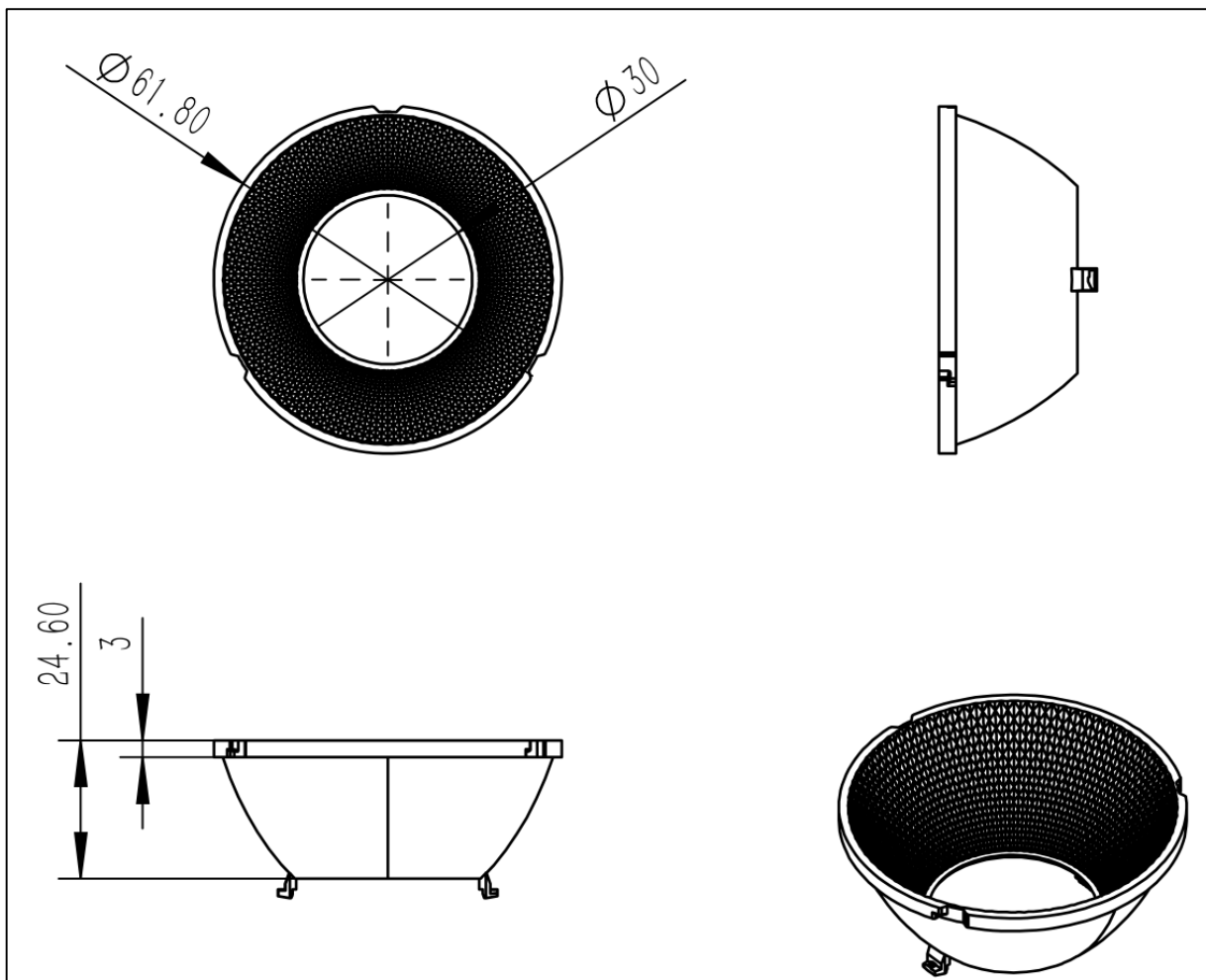
CXA15

CXM-9

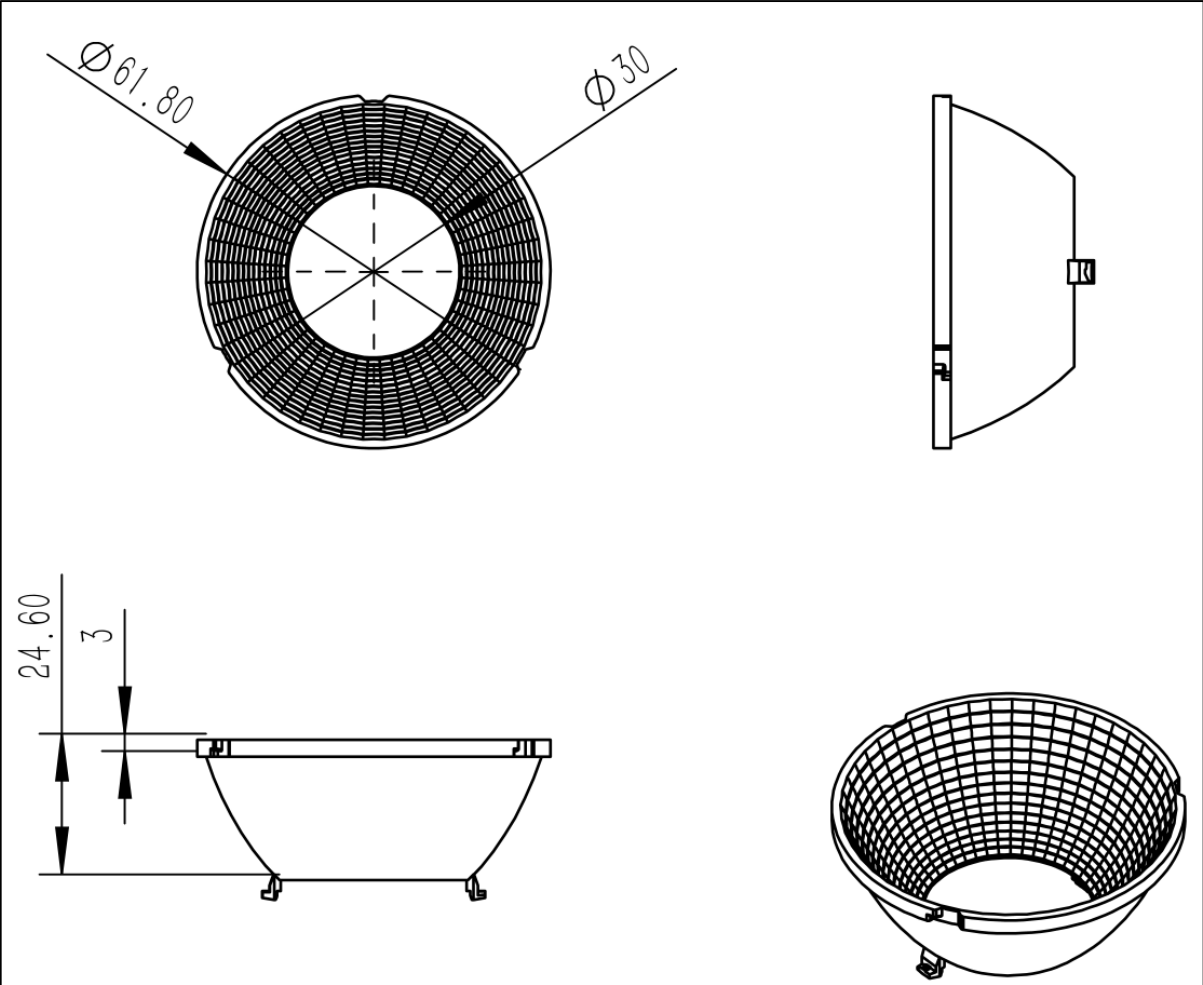
Dimensional Figure

Measure Unit : mm

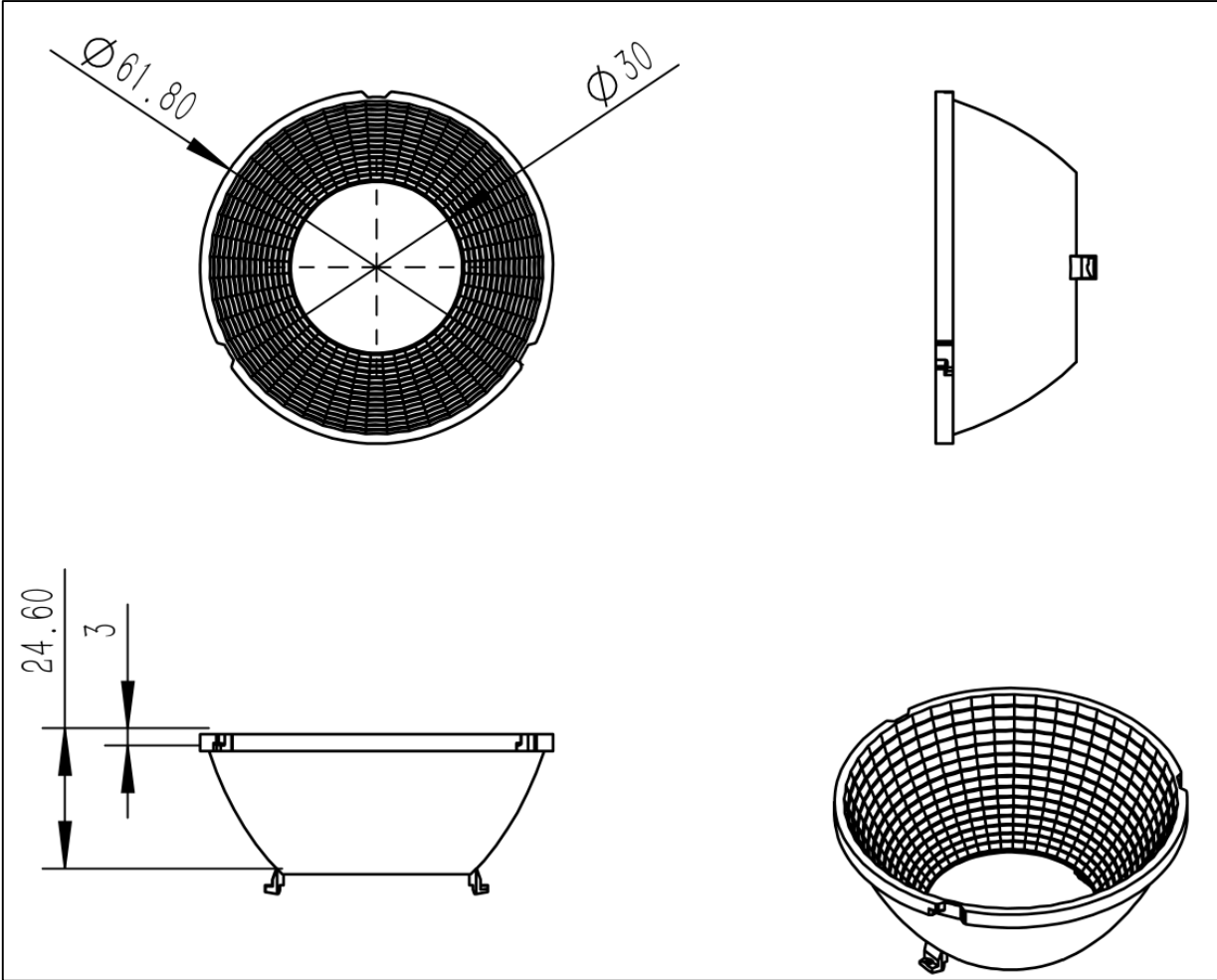
SL-RF-AO-062A-S



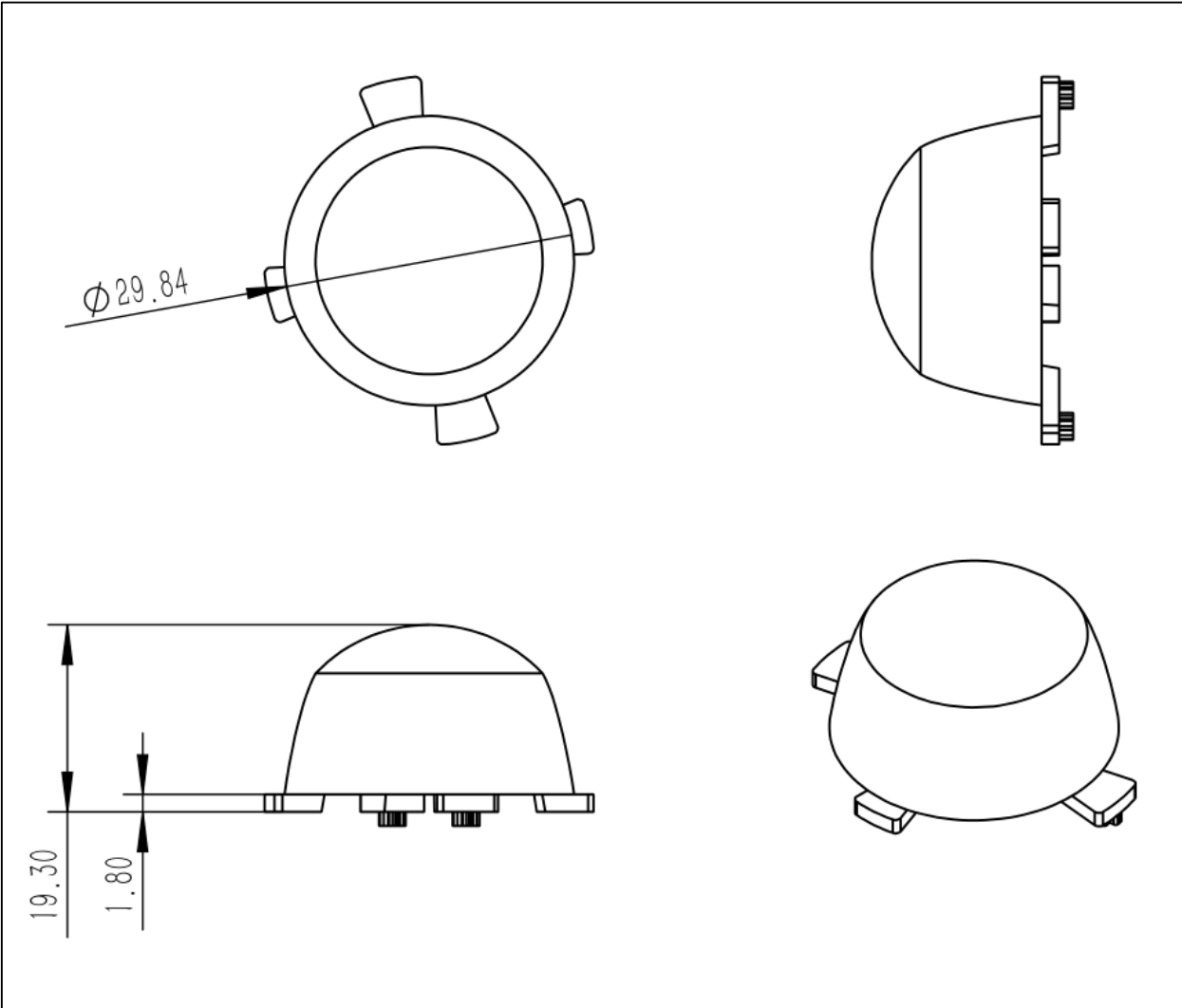
SL-RF-AO-062A-M



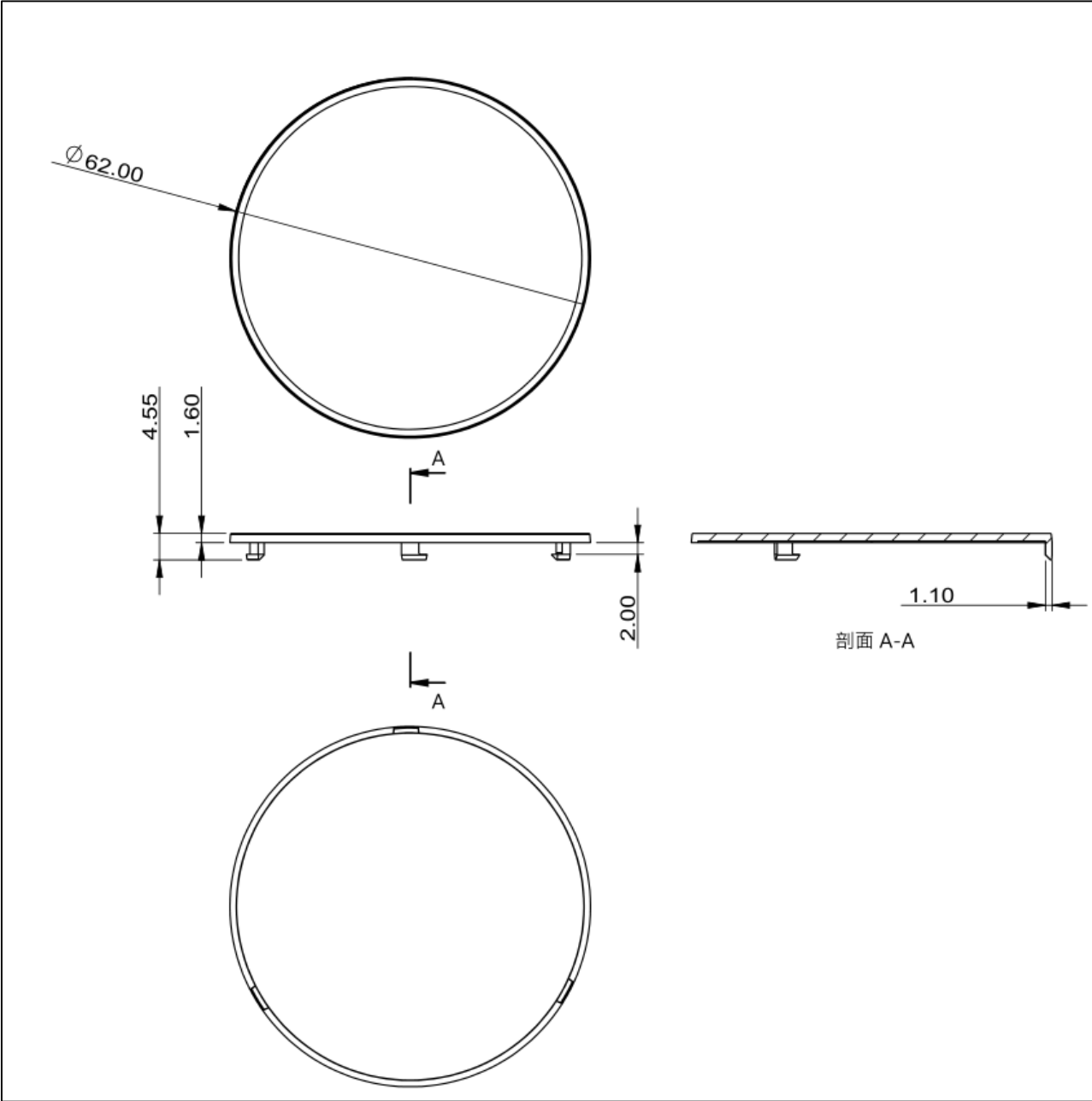
SL-RF-AO-062A-F



SL-PL-AD-030C



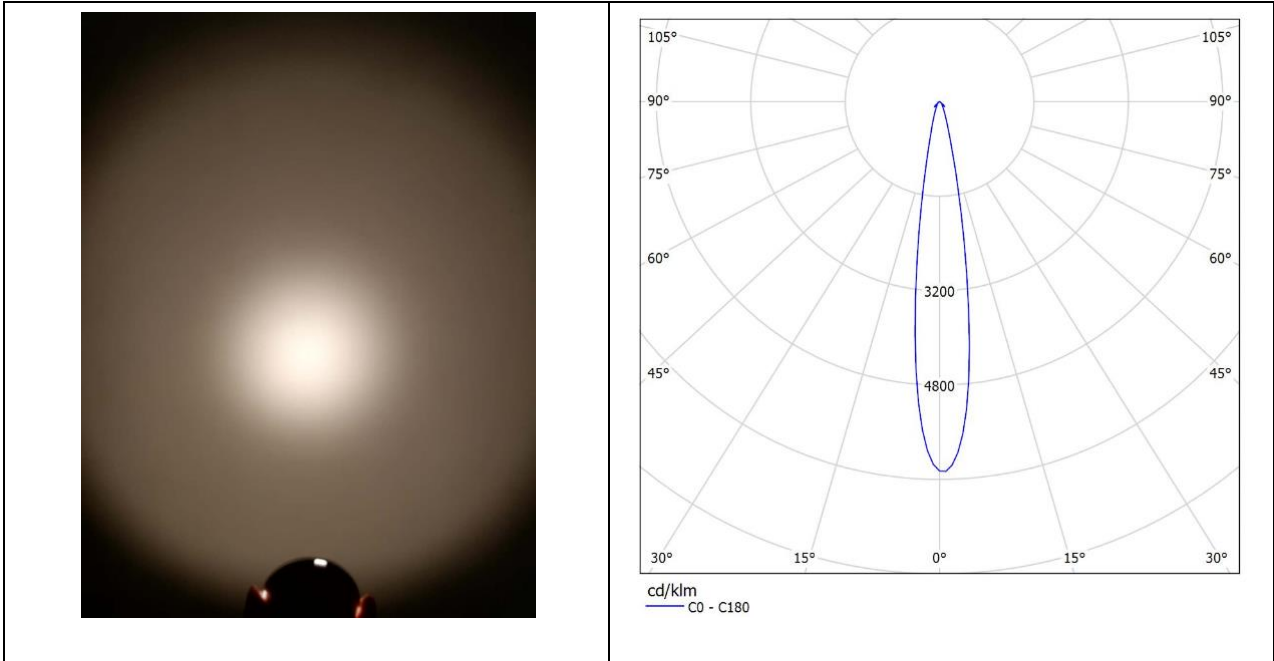
SL-PL-AE-062A



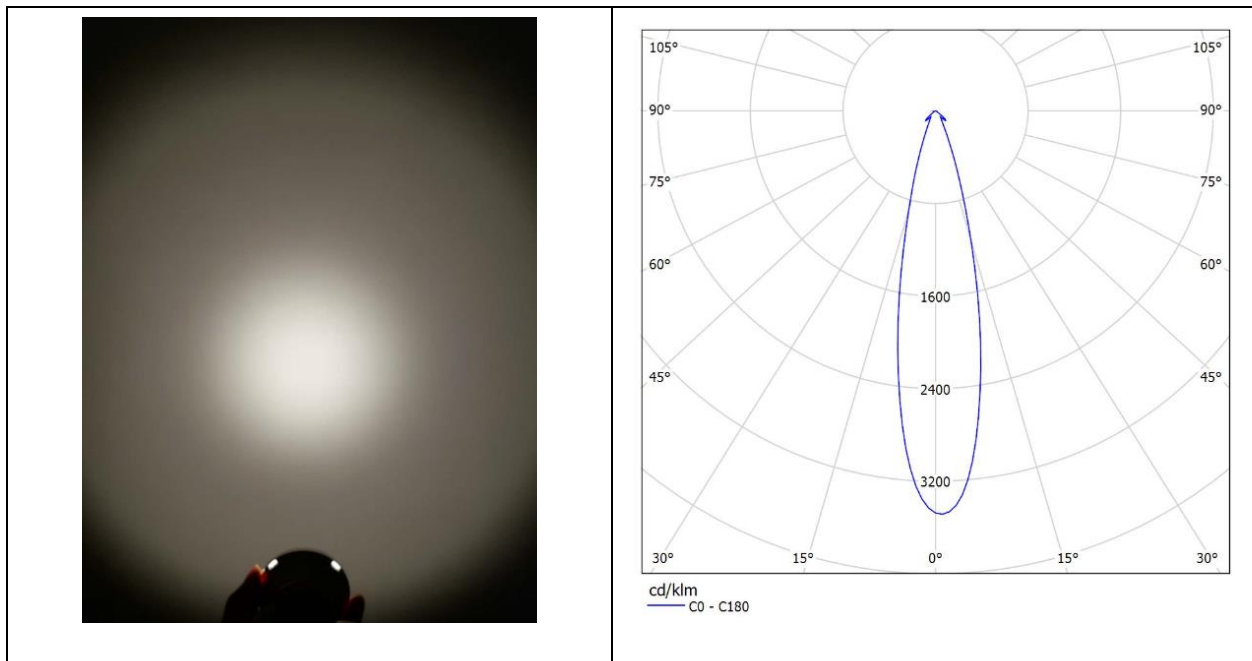
Distribution Curve Flux

Source: Citizen Clu028

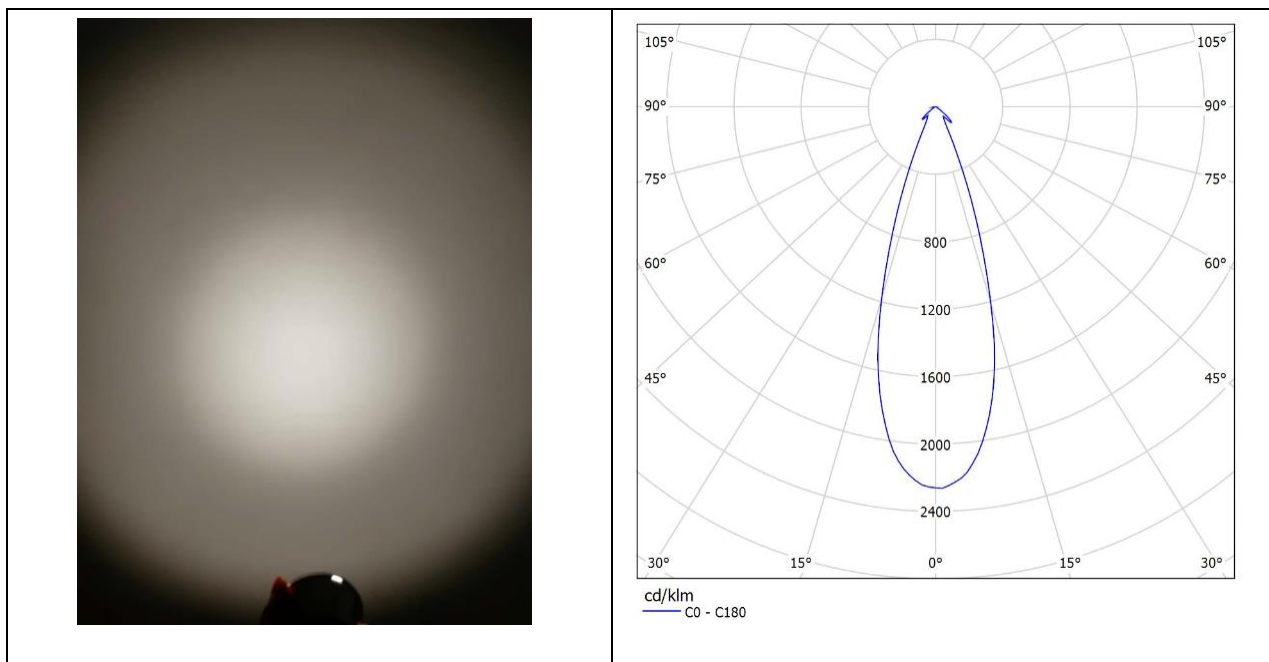
SL-RF-AO-062A-S



SL-RF-AO-062A-M



SL-RF-AO-062A-F



Notes

- It is not allowed to scrub the reflective surface. If there is dust on the surface, please clean by soft cotton with little water.
- It is forbidden to clean with industrial solvent such as ethanol.
- Storage temperature: 0°C-40°C, and humidity:30%-95%.
- Keep reflector in package to void the dust.
- Prohibit the reflector touch with acid or alkaline solvent.

About Shinland

Shenzhen Shinland Co. Ltd, one of the longest and most professional company in reflector field, have years experience. Different from other factory which only have simple process, all aspects included R&D, making mold, mass production and market support are achieved by our exclusive resources.

Insisting on “Quality First, Service First” and pragmatic, enterprising spirit, building the market by quality, casting our brand by credibility and integrity, Shinland now become the leading supplier of second-optical solution in China.