



Optics
Shinland

Each Ray is brighter in Shinland

SL-075I

Matched LED Source

Details

Material:	PC
LENS Material:	PC
Process:	Vacuum Aluminum Plating
MAX Diameter:	75.0mm
Height:	41mm
Matched Holder:	SL-HD-B
Matched Cover:	SL-075-CLEAR-LENS/SL-075-MIXING-LENS SL-075-WOF-LENS-B/SL-075-FSQ-LENS-B SL-075-M-LENS-B/SL-075-F-LENS-B SL-075-WW-LENS-B/SL-075-MOF-LENS-B
ROSH Compliant:	YES
Status:	Ready

Optical Properties

Code	Typ. Angle	Typ. efficiency
SL-075I-S	10°-21°	90%
SL-075I-M	25°-27°	91%
SL-075I-L	38°-41°	91%
SL-075I-W	58°-62°	92%

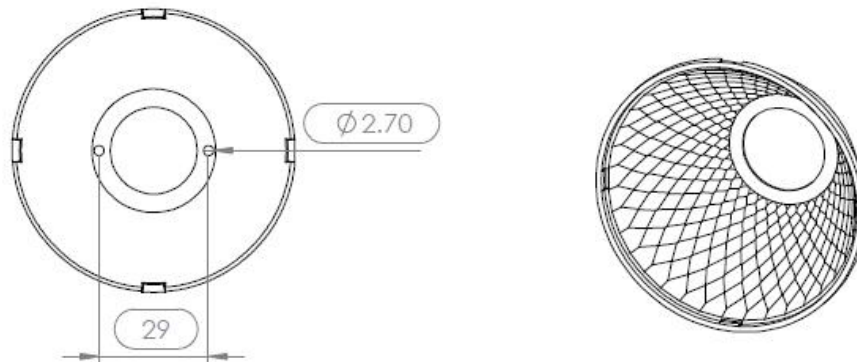
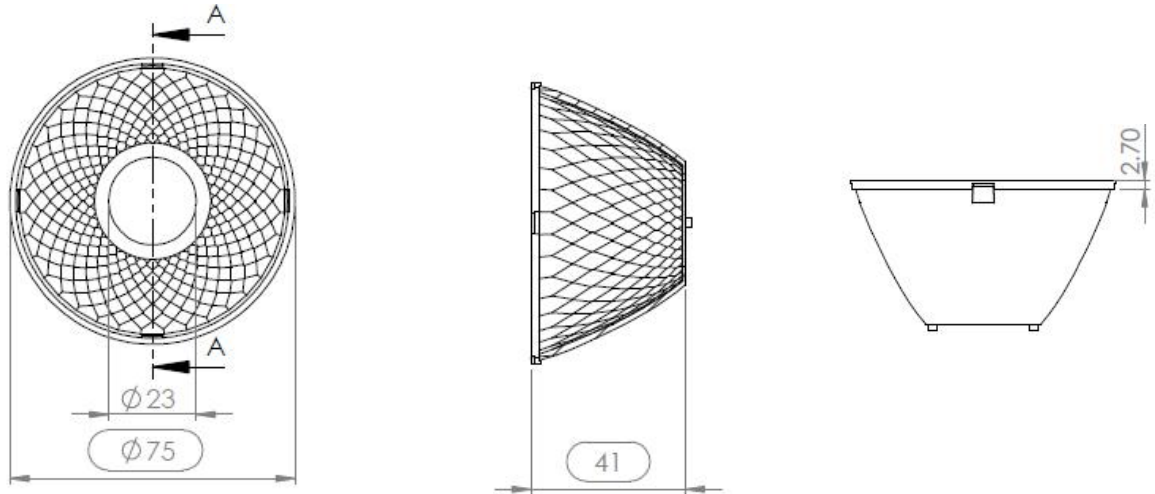
Photo



CLL028	VestaTW9
CLL038	VestaTW13
CLU701	
CLU711	G4-10
CLU721	G4-17
CLU731	
CLC020	105
	1202/1203
CXM-6	1204/1205
CXM-7	1208
CXM-9	
CXM-14	
CXM-18	Sole
CHM-6	Soleriq S13
CHM-9	Soleriq S19
CHM-11	
CHM-14	
CDM-6	XTM-9
CDM/CTM-9	XTM-19
CDM/CTM-14	
CDM/CTM-18	EDC-38C
	EDC-47C
	EDC-57C-20
CXA13	EDC-57C-30
CXA15	
CXA18	
CXA25	NJCxS024Z
CXA1830	NVCxL024Z
E8	NVExJ048Z
E13	NTCxS024B
	NFCxL036B
	NFCxL060B
V10 Gen6	NFCxJ108B
V10 Gen7	NFDxJ130B
V13 Gen6	
V13 Gen7	
V15 Gen6	LC010C
V18 Gen6	LC020C
V18 Gen7	LC006B
Vero13	LC040C
Vero18	LC026B
	LC033B

2 Dimensional Figure

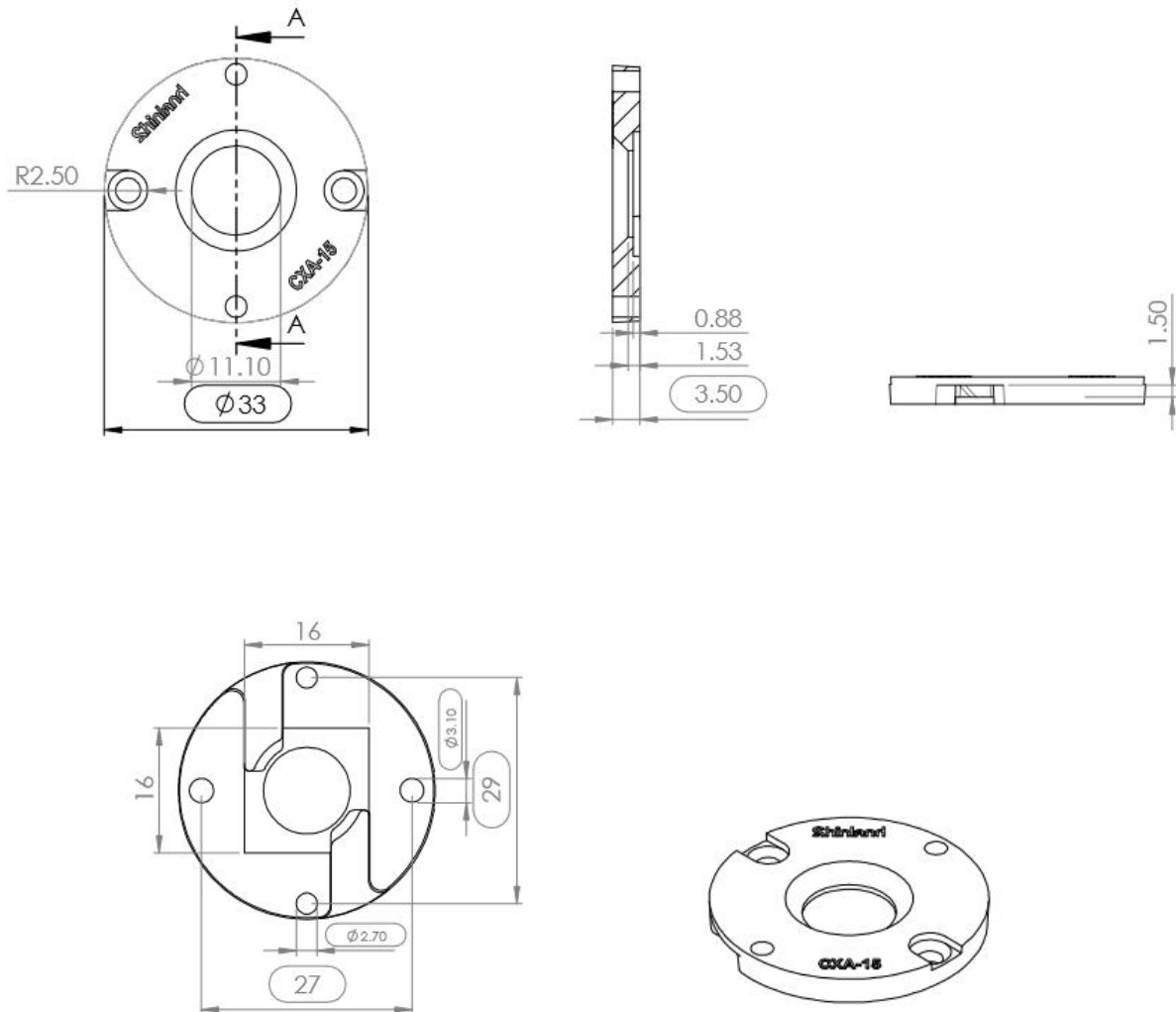
Measure Unit: mm



Dimensional Figure

SL-CXA15-HD-B

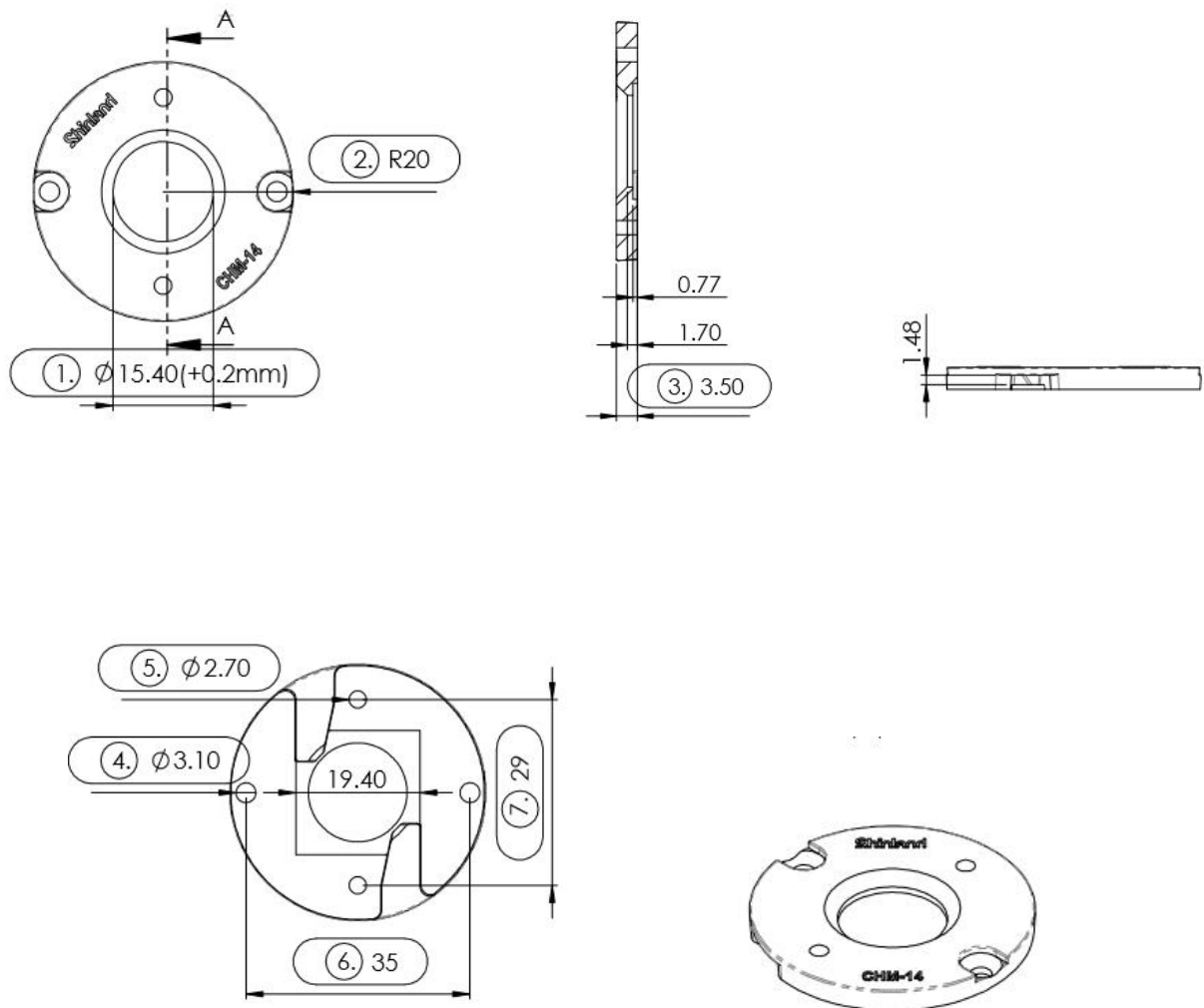
Measure Unit: mm



Dimensional Figure

SL-CHM-14-HD-B

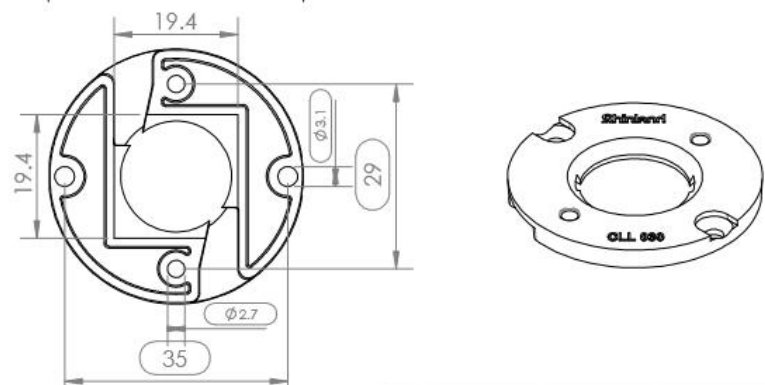
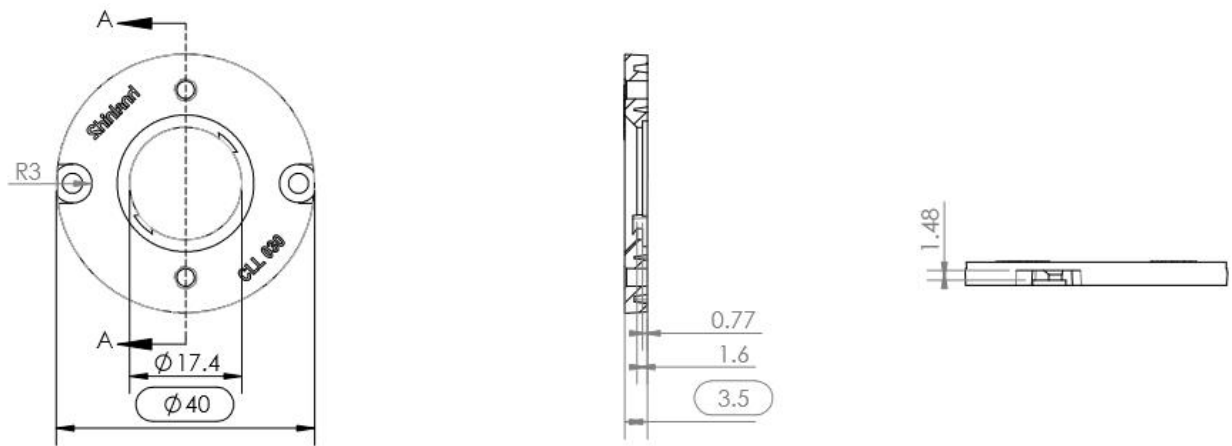
Measure Unit: mm



Dimensional Figure

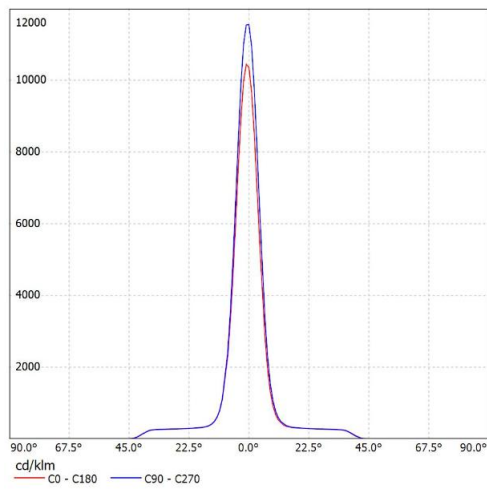
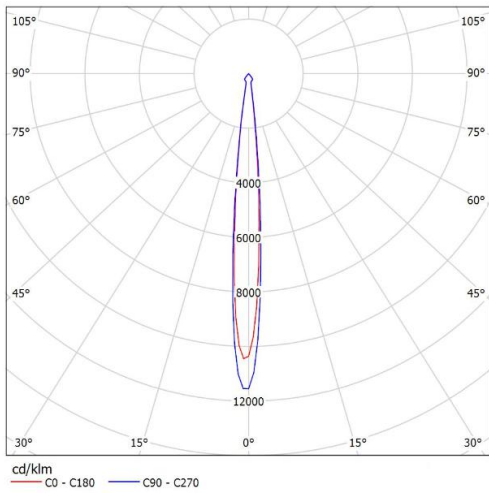
SL-CLL030-HD-B

Measure Unit: mm

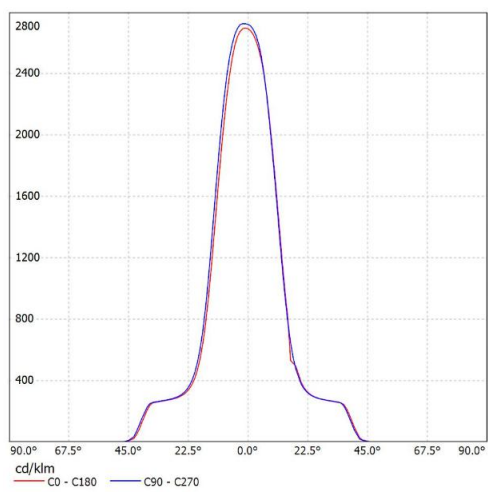
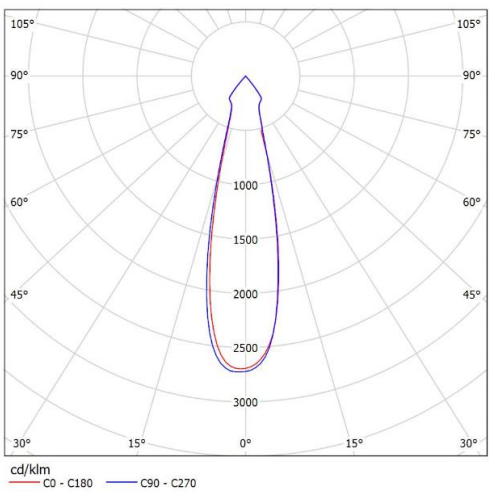


Distribution Curve Flux

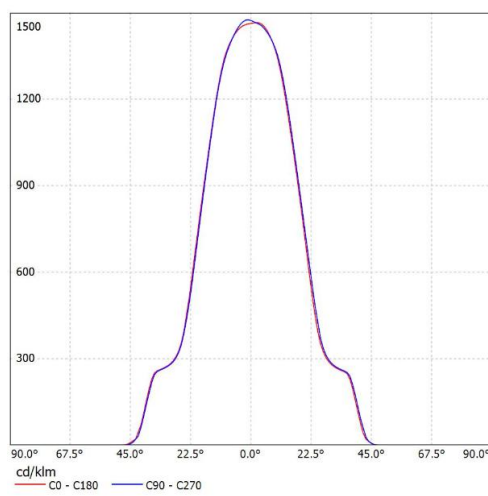
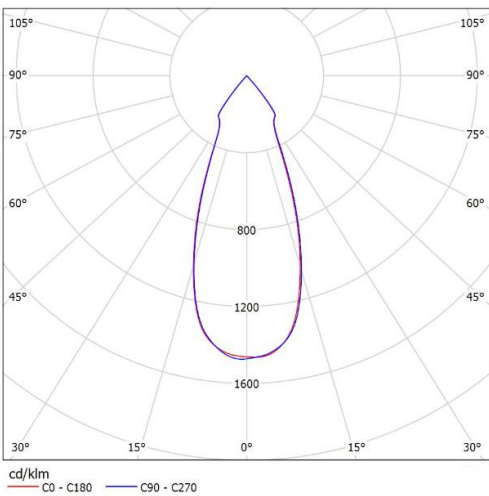
SL-075I&SL-CXA15-HD-B:



SL-75I-S
K:15.05cd/Im,LED:CXA15XX



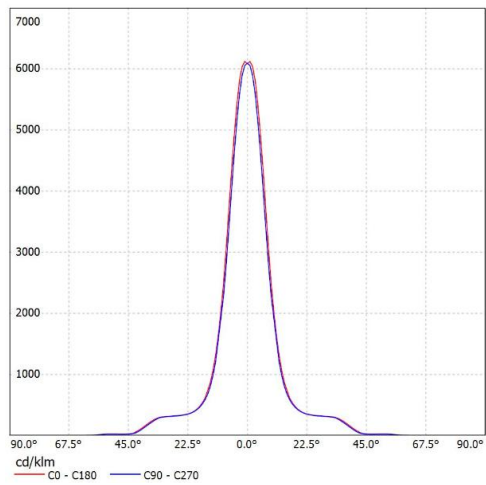
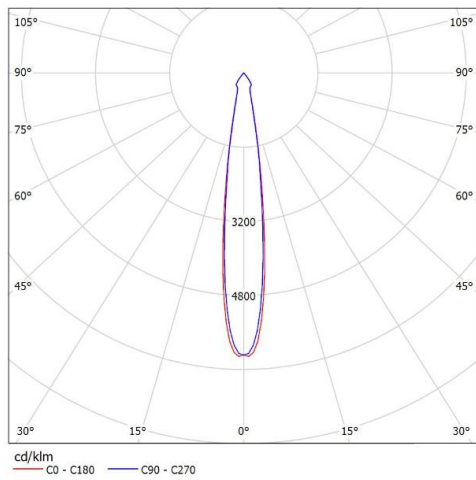
SL-75I-M
K:3.49cd/Im,LED:CXA15XX



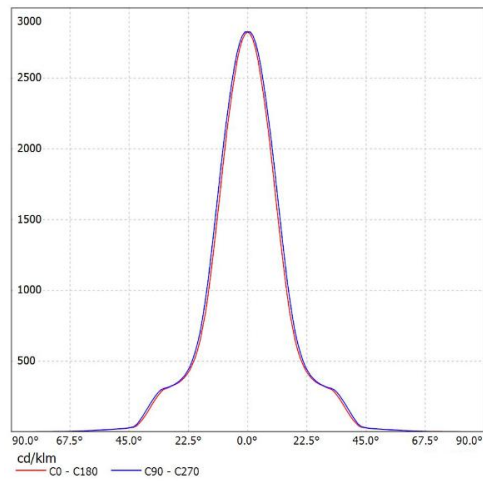
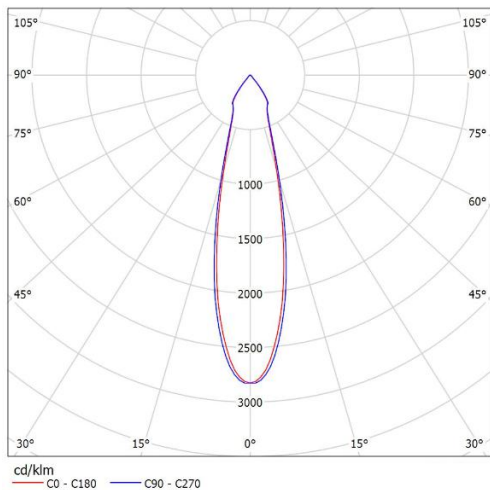
SL-75I-L
K:1.88cd/Im,LED:CXA15XX

Distribution Curve Flux

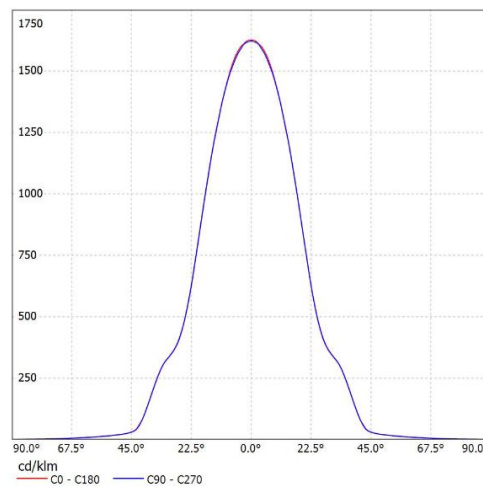
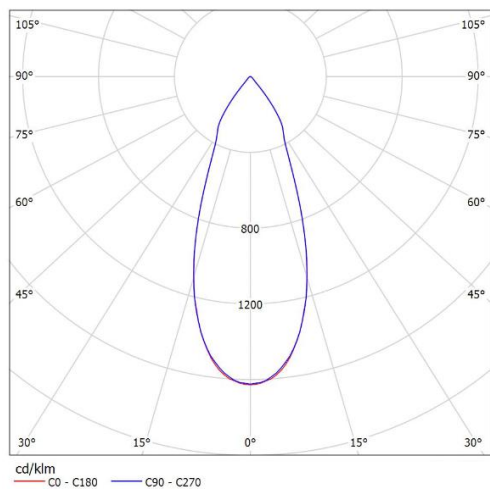
SL-075I&SL-CHM-14-HD-B:



SL-75I-S
K:6.78cd/lm,LED:V13 Gen7



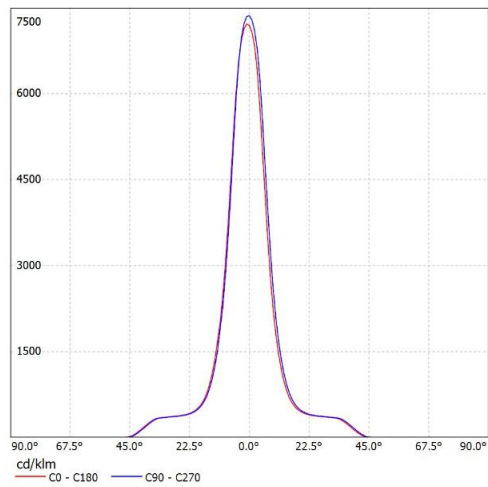
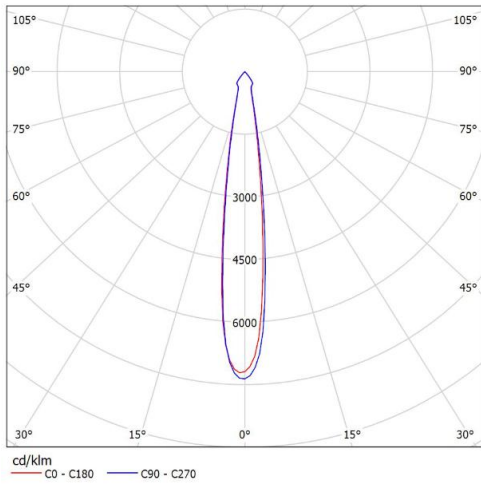
SL-75I-M
K:3.19cd/lm,LED:V13 Gen7



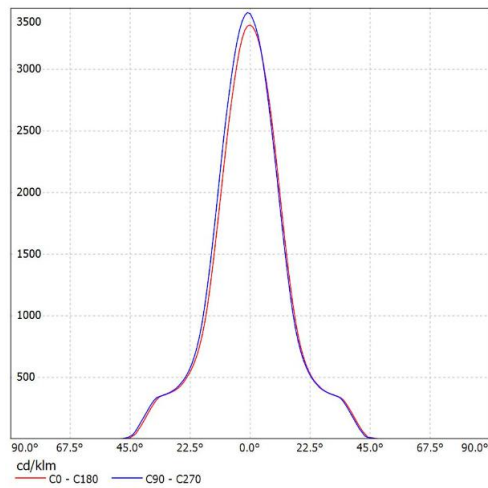
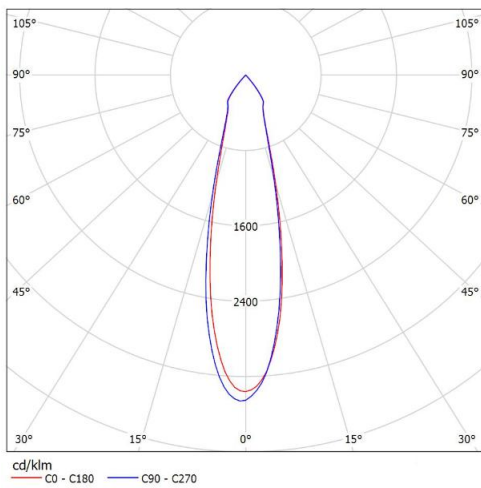
SL-75I-L
K:1.84cd/lm,LED:V13 Gen7

Distribution Curve Flux

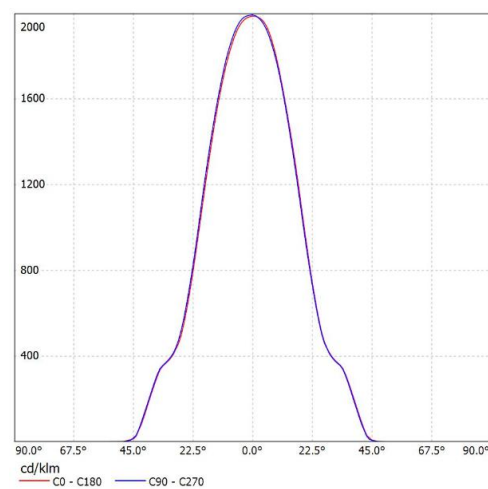
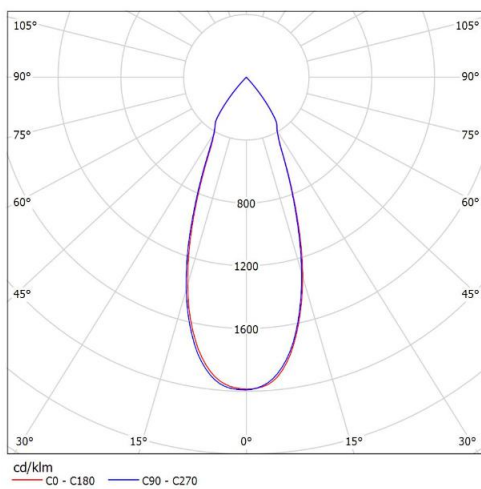
SL-075I&SL-CLL030-HD-B:



SL-75I-S
K:7.01cd/lm,LED:CLL03X



SL-75I-M
K:3.31cd/lm,LED:CLL03X



SL-75I-L
K:1.88cd/lm,LED:CLL03X

Package Description

SL-075I

Part NO.	Without pc cover		With pc cover		Box Size(cm)
	Number per Box (pcs)	Box Weigh(kg)	Number per Box (pcs)	Box Weigh(kg)	
SL-075I-S	384	8.08	288	8.18	70X 37X 38
SL-075I-M	384	8.28	288	8.35	70X 37X 38
SL-075I-L	384	8.30	288	8.35	70X 37X 38

Notes

- It is not allowed to scrub the reflective surface. If there is dust on the surface, please clean by soft cotton with little water.
 - It is forbidden to clean with industrial solvent such as ethanol.
 - Storage temperature: 0°C-40°C, and humidity:30%-95%.
 - Recommended operating temperature (PC) is <100°C.
 - Keep reflectors in package to void the dust.
 - Prohibit the reflector touch with acid or alkaline solvent
-

About Shinland

Shenzhen Shinland Co. Ltd, one of the longest and most professional company in reflector field, have years experience. Different from other factory which only have simple process, all aspects included R&D, making mold, mass production and market support are achieved by our exclusive resources.

Insisting on “Quality First, Service First” and pragmatic, enterprising spirit, building the market by quality, casting our brand by credibility and integrity, Shinland now become the leading supplier of second-optical solution in China.