



Optics
Shinland

Each Ray is brighter in Shinland

SL-069D

Details

Material:	URC2500
Cover Material:	PC
Process:	Vaccum Aluminum Plating PC
MAX Diameter:	69.0mm
Height:	34.2mm
Matched Holder:	SL-HD-B
Matched Cover:	SL-069-CLEAR-LENS/SL-069-MIXING-LENS SL-069-WOF-LENS-B/SL-069-FSQ-LENS-B SL-069-M-LENS-B/SL-069-F-LENS-B SL-069-WW-LENS-B
ROSH Compliant:	YES
Status:	Ready

Optical Properties

Code	Typ. Angle	Typ. efficiency
SL-069D-S	8°-23°	91%
SL-069D-M	26°-29°	92%
SL-069D-L	38°-42°	92%
SL-069D-W	55°-60°	92%

Photo

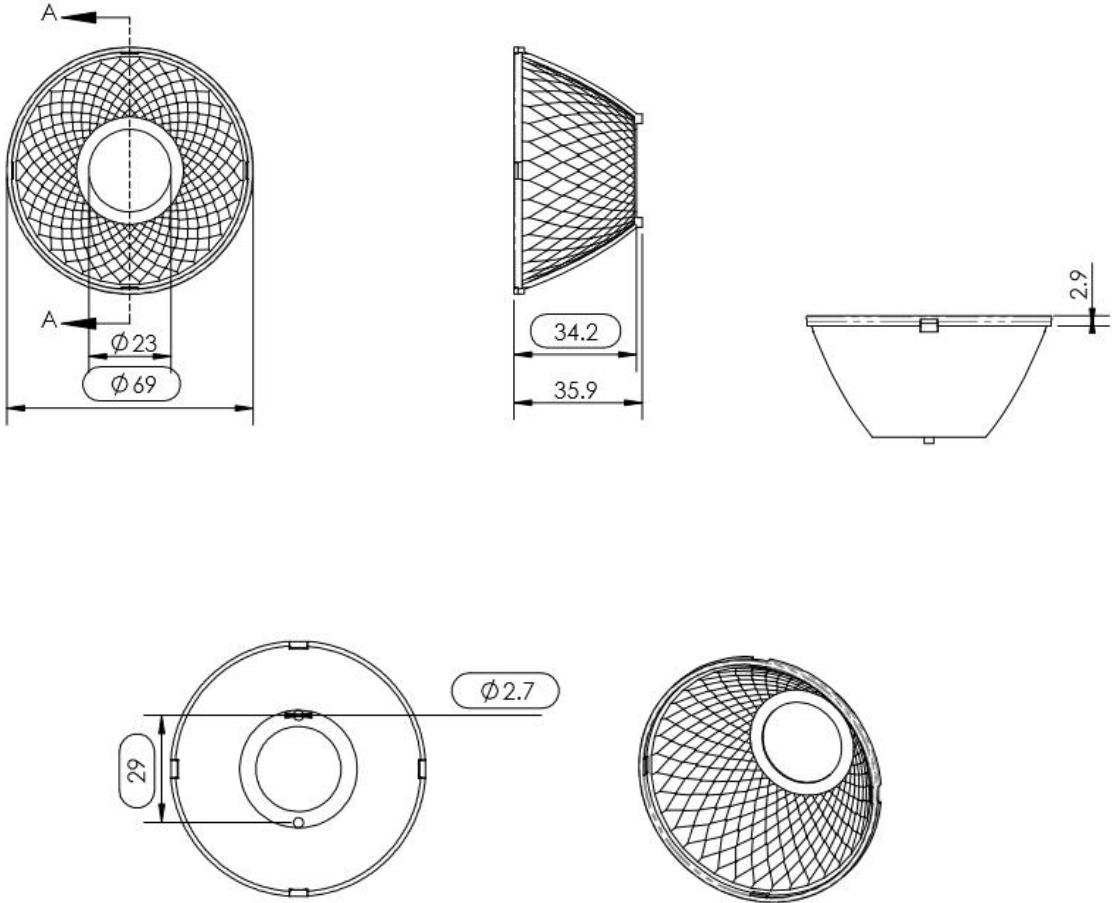


Matched LED Source

CLU028	Soleroiq S9
CLU038	Soleroiq S13
CLU701	Soleroiq S19
CLU711	
CLU721	105
CLU731	1202/1203
CLC020	1204/1205 1208
CXM-6	
CXM-7	
CXM-9	G4-10
CXM-14	G4-17
CXM-18	
CHM-6	XTM-9
CHM-9	XTM-19
CHM-11	
CHM-14	
CDM-6	LC010C
CDM-9/CTM-9	LC020C
CDM-14/CTM-14	LC006B
CDM-18/CTM-18	LC040C LC026B LC033B
CXA13	
CXA15	
CXA18	EDC-38C
CXA25	EDC-47C
CXA1830	EDC-57C-20 EDC-57C-30
V10 Gen6	NJCxS024Z
V10 Gen7	NVCxL024Z
V13 Gen6	NVExJ048Z
V13 Gen7	NTCxS024B
V15 Gen6	NFCxL036B
V18 Gen6	NFCxL060B
V18 Gen7	NFCxJ108B
Vero13	NFDxJ130B
Vero18	
E8	
E13	
Vesta TW9	
Vesta TW13	

Dimensional Figure SL-069D

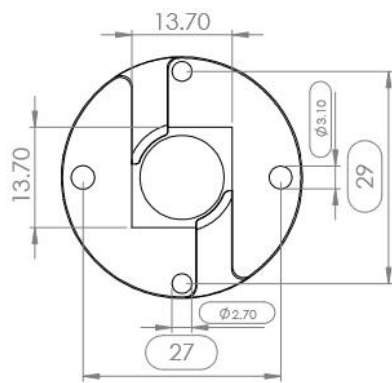
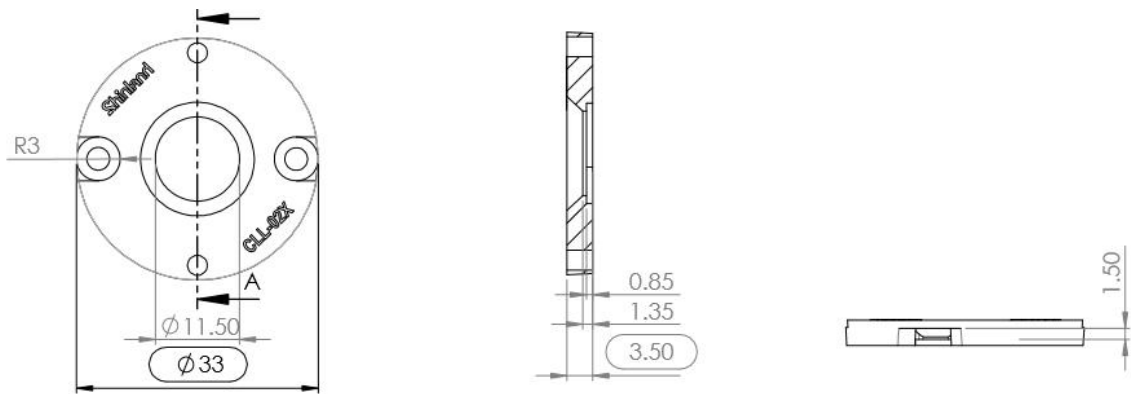
Measure Unit: mm



Dimensional Figure

SL-CLL02X-HD-B

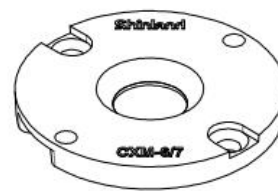
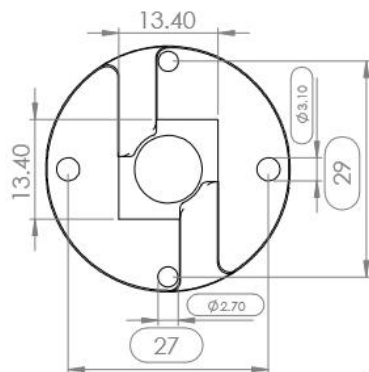
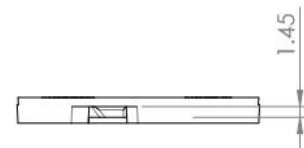
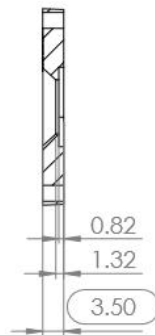
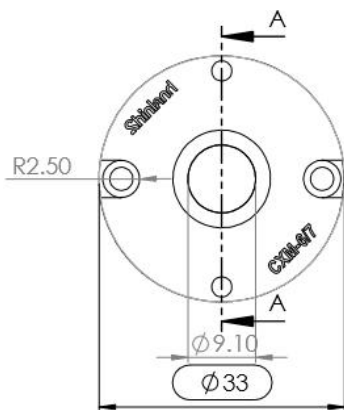
Measure Unit: mm



Dimensional Figure

SL-CXM-6/7-HD-B

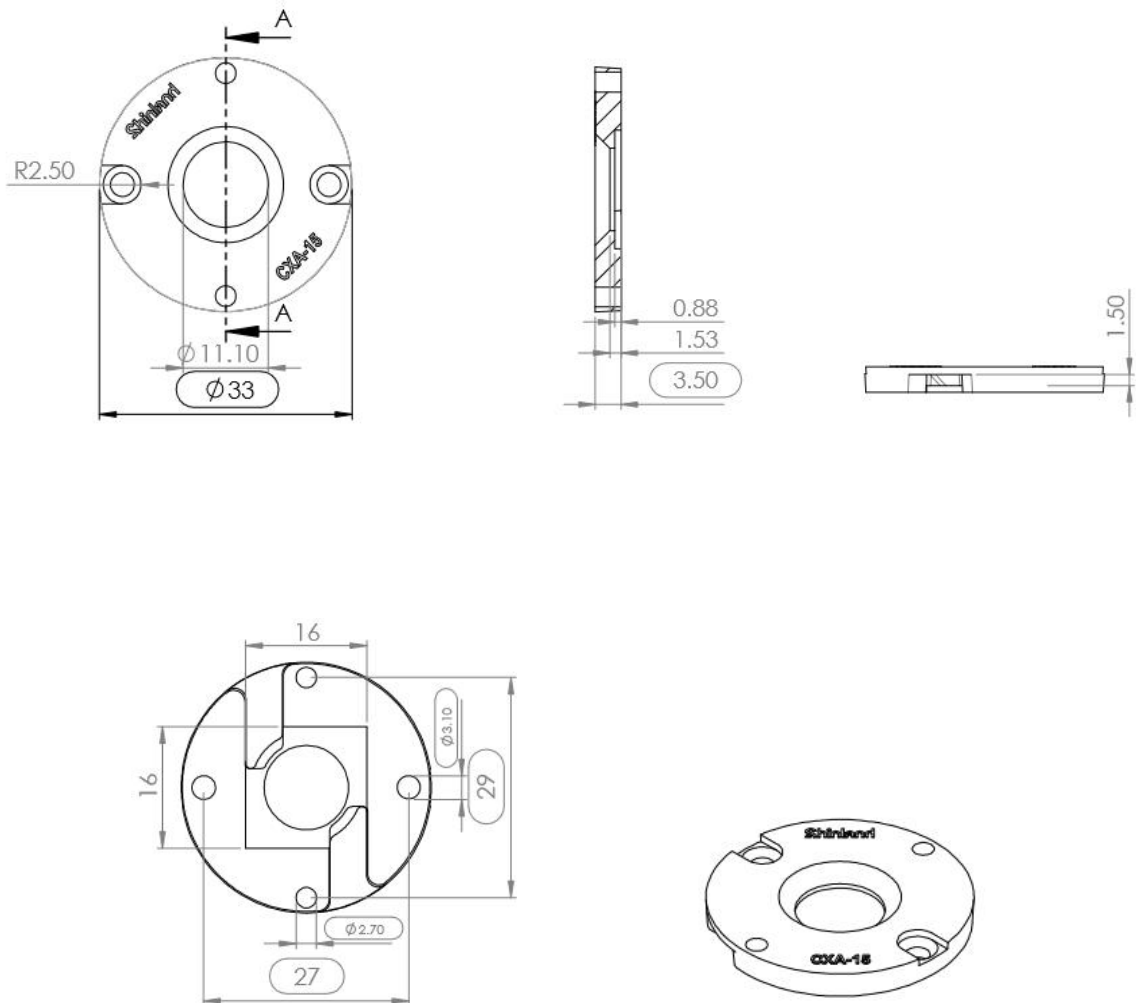
Measure Unit: mm



Dimensional Figure

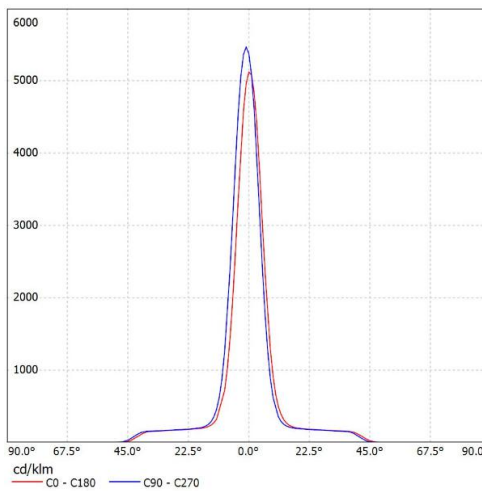
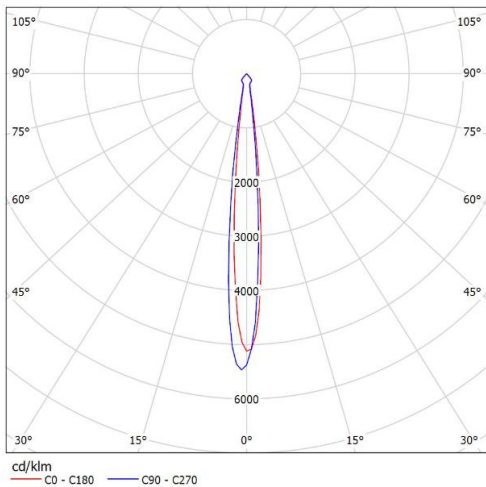
SL-CXA15-HD-B

Measure Unit: mm

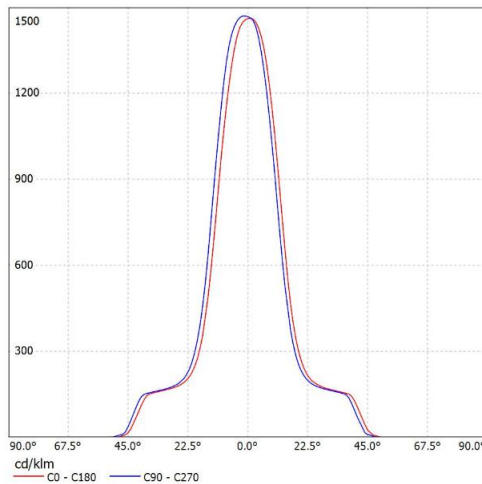
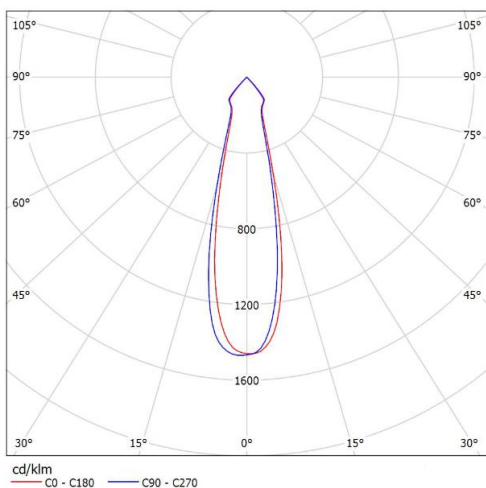


Distribution Curve Flux

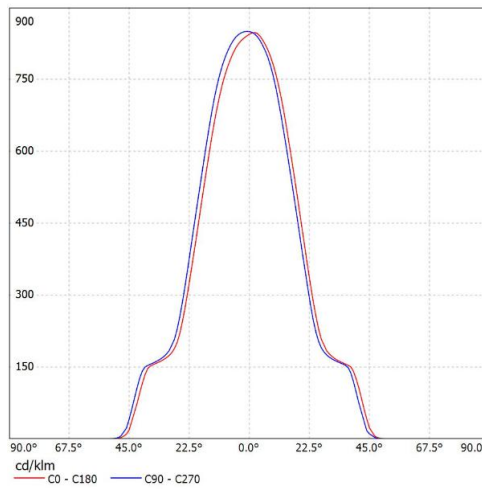
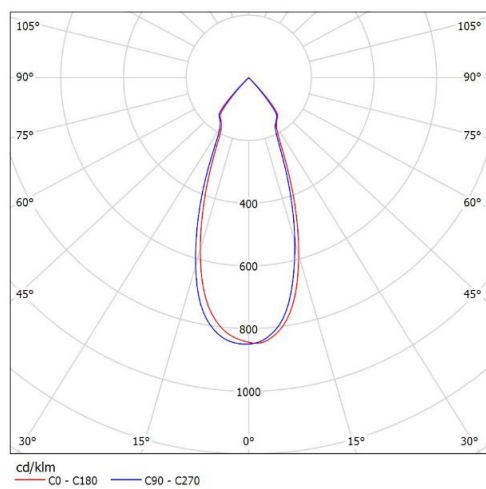
SL-069D&SL-CLL020-HD-B



SL-069D-S
K:11.38cd/lm,LED:02x



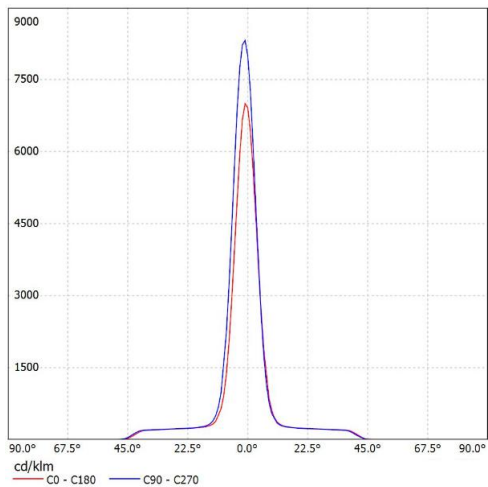
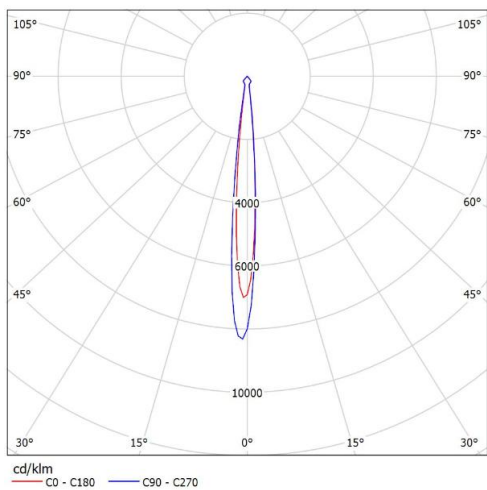
SL-069D-M
K:3.03cd/lm,LED:02x



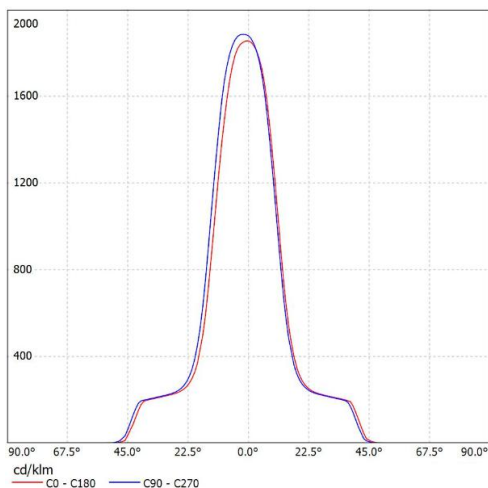
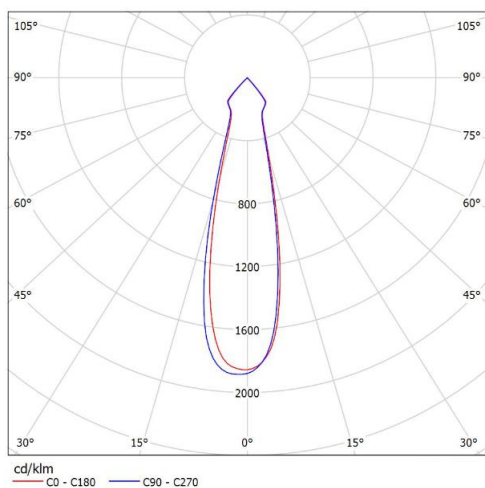
SL-069D-L
K:1.74cd/lm,LED:02x

Distribution Curve Flux

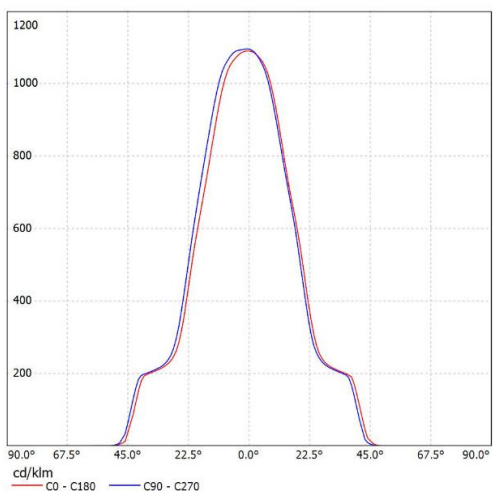
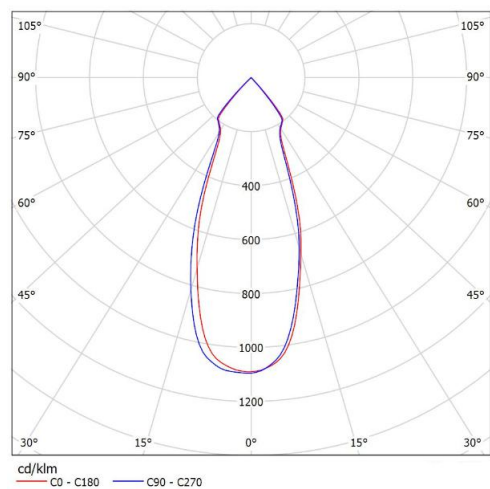
SL-069D&SL-CXM-6/7-HD-B



SL-069D-S
K:13.83cd/Im,LED:CXM-7



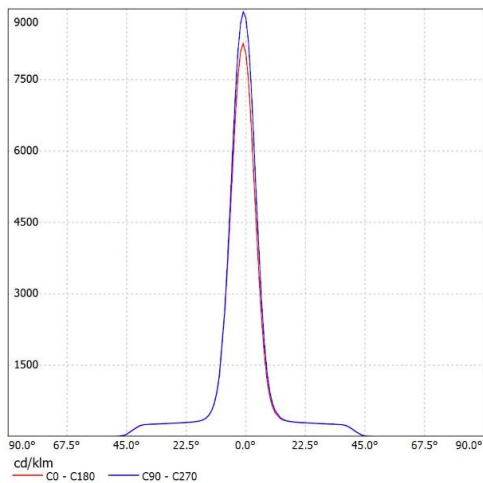
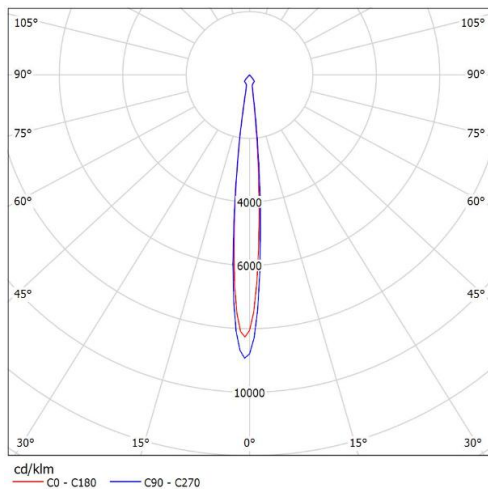
SL-069D-M
K:3.05cd/Im,LED:CXM-7



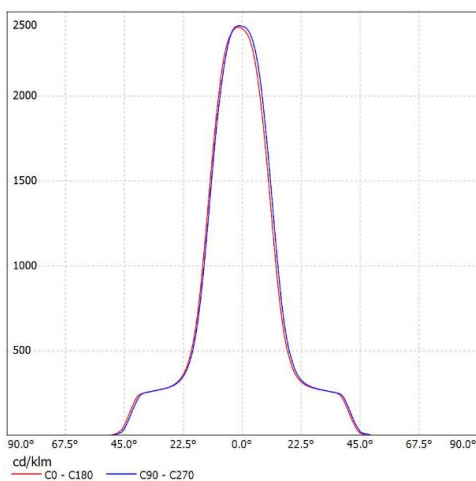
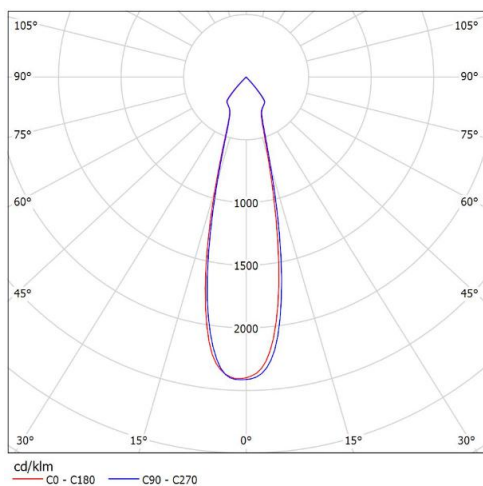
SL-A-069C-L
K:1.76cd/Im,LED:CXM-7

Distribution Curve Flux

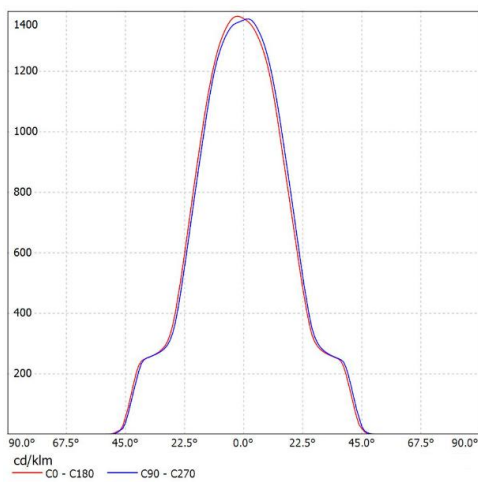
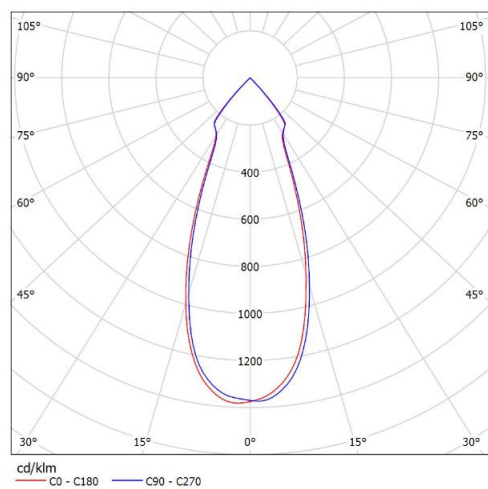
SL-069D&SL-CXA15-HD-B



SL-069D-S
K:11.69cd/Im,LED:CXA15XX



SL-A-069C-M
K:3.05cd/Im,LED:CXA15XX



SL-A-069C-L
K:1.74cd/Im,LED:CXA15XX

Package Description

SL-069D

Part NO.	Without pc cover		With pc cover		Box Size(cm)
	Number per Box (pcs)	Box Weigh(kg)	Number per Box (pcs)	Box Weigh(kg)	
SL-069D-S	448	7.35	320	7.53	64X 34 X 38
SL-069D-M	448	7.58	320	7.45	64X 34 X 38
SL-069D-L	448	7.40	320	7.50	64X 34 X 38

Notes

- It is not allowed to scrub the reflective surface. If there is dust on the surface, please clean by soft cotton with little water.
 - It is forbidden to clean with industrial solvent such as ethanol.
 - Storage temperature: 0°C-40°C, and humidity:30%-95%.
 - Recommended operating temperature (PC) is <100°C.
 - Keep reflectors in package to void the dust.
 - Prohibit the reflector touch with acid or alkaline solvent
-

About Shinland

Shenzhen Shinland Co. Ltd,one of the longest and most professional company in lighting optical field,have 20 years experience.Different from other factory which only have simple process, all aspects included R&D,making mold,injection molding ,vacuum coating and market support are our company own vertically integrated production .

Insisting on 'Quality First, Service First' and pragmatic, enterprising spirit,building the market by quality, casting our brand by credibility and integrity ,Shinland now become the leading supplier of lighting optical solution in China.