



Optics
Shinland

Each Ray is brighter in Shinland

SL-095B

Details

Material:	URC2500
Cover Material:	PC
Process:	Vaccum Aluminum Plating PC
MAX Diameter:	95.0mm
Height:	63.5mm
Matched Holder:	SL-HD-A
Matched Cover:	SL-095-CLEAR-LENS/SL-095-MIXING-LENS
ROSH Compliant:	YES
Status:	Ready

Optical Properties

Code	Typ. FWHM	Typ. Eff
SL-09515B	15°	91%
SL-09524B	24°	91%
SL-09538B	38°	91%

Matched LED Source

CXM-18

Vero18
V15 Gen6
V18 Gen6

XTM-19

1208

LC026B
LC033B

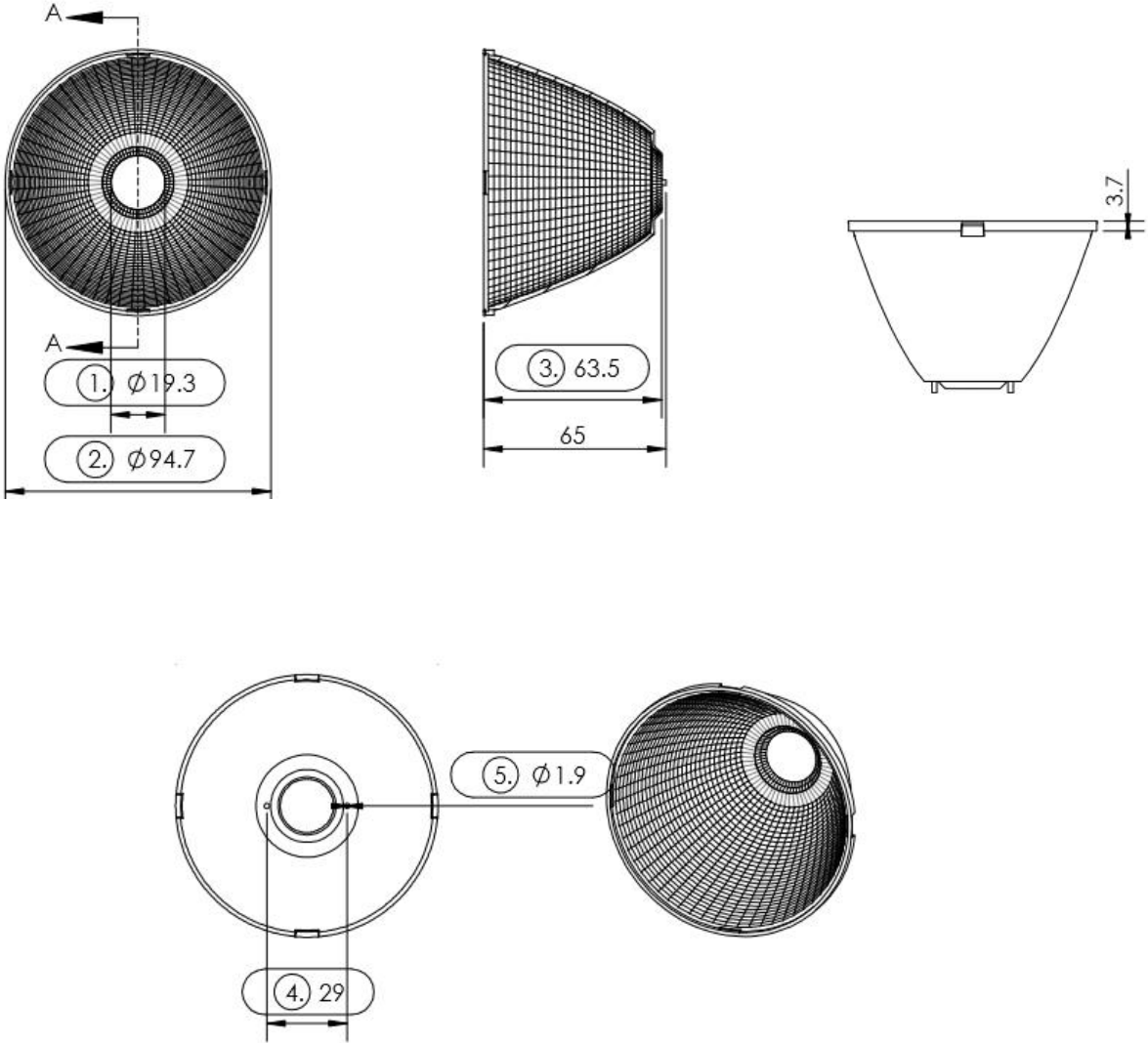
EDC-57C-30

Photo



Dimensional Figure SL-095B

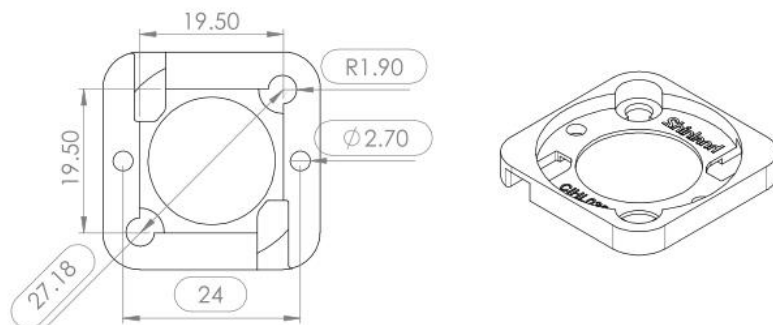
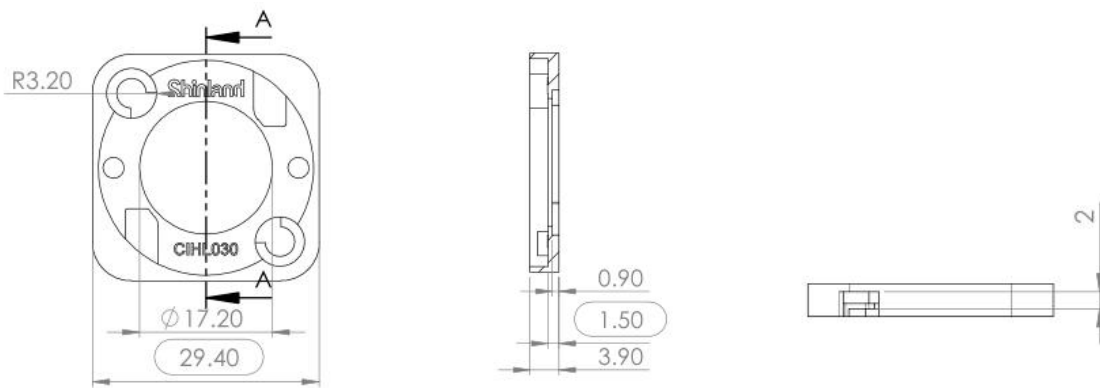
Measure Unit: mm



Dimensional Figure

SL-CLL030-HD-A

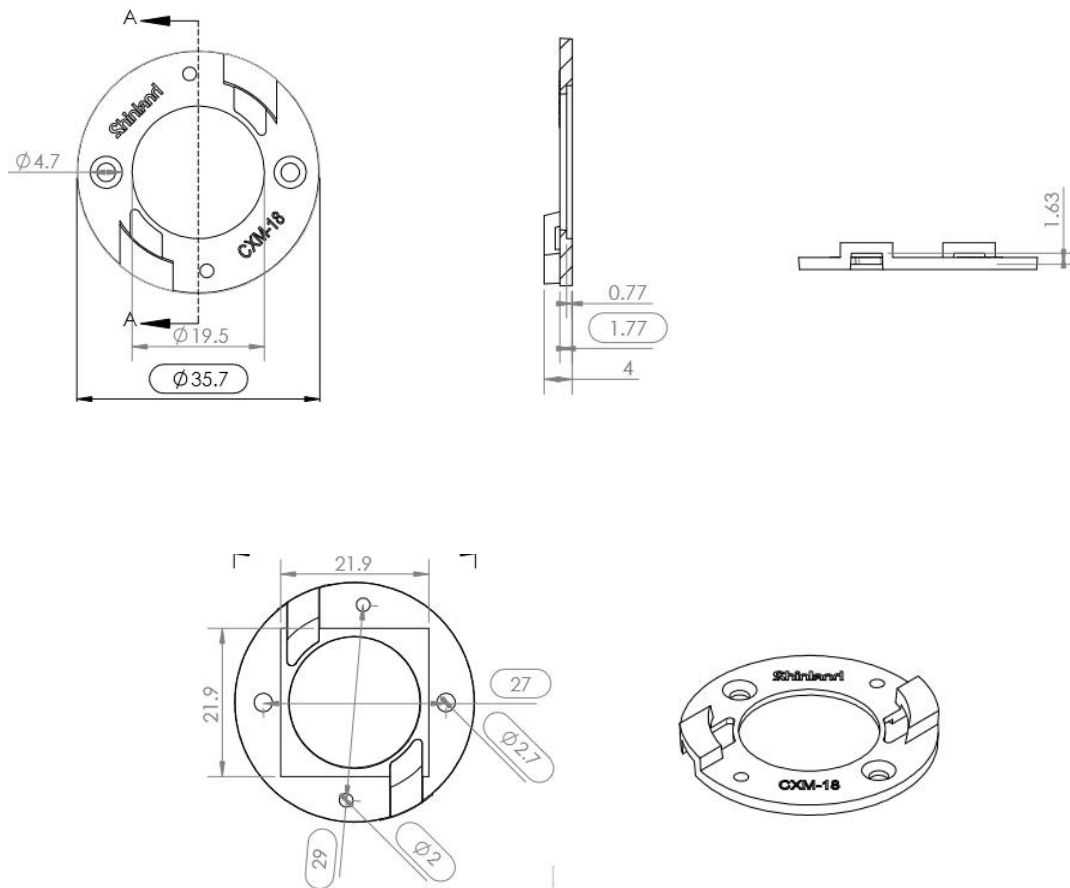
Measure Unit: mm



Dimensional Figure

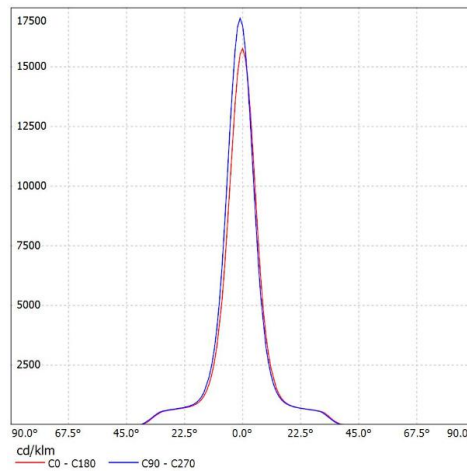
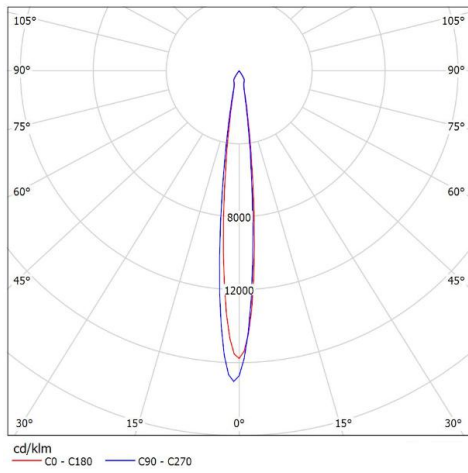
SL-CXM-18-HD-A

Measure Unit: mm

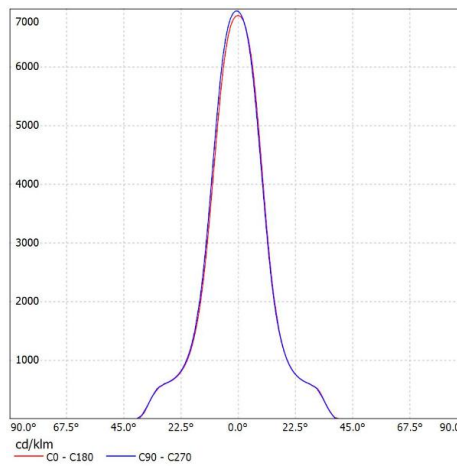
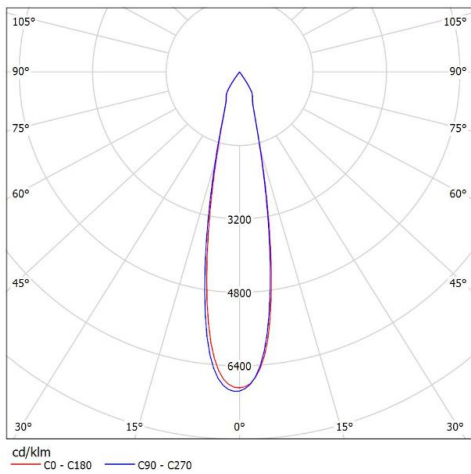


Distribution Curve Flux

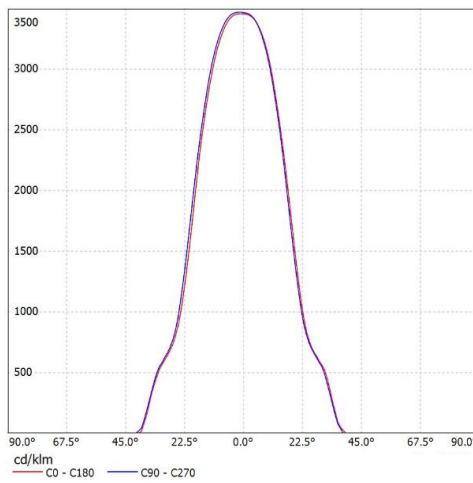
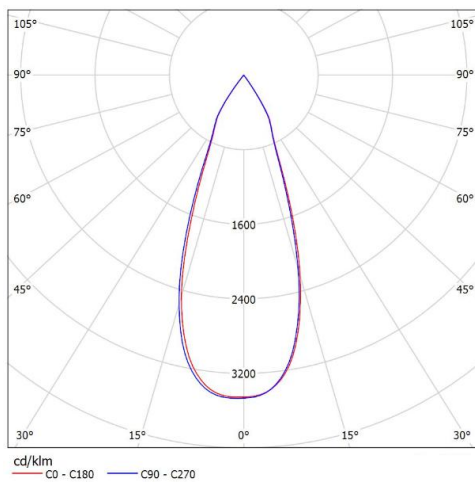
SL-095B&SL-CLL030-HD-A



SL-09515B
K:10.95cd/lm,LED:CLL03X



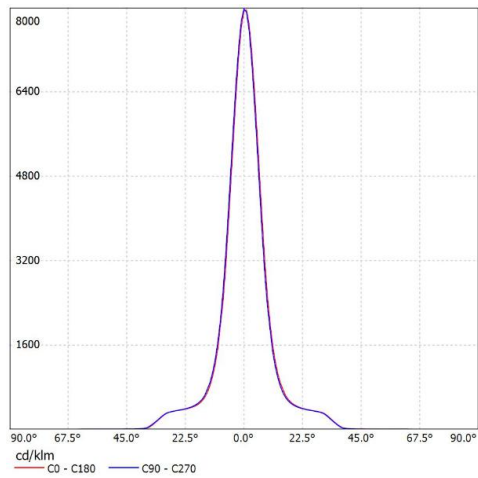
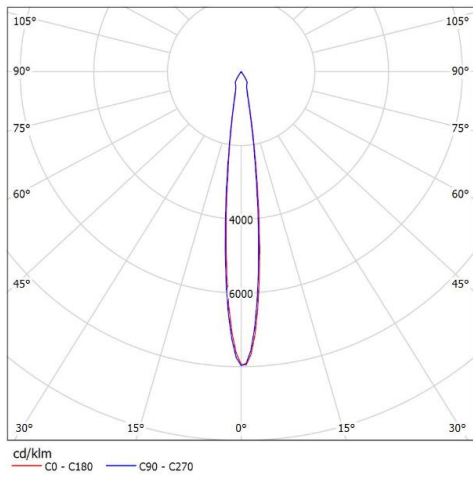
SL-09524B
K:4.49cd/lm,LED:CLL03X



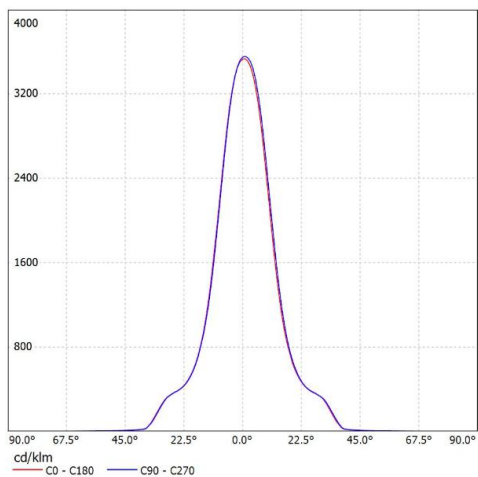
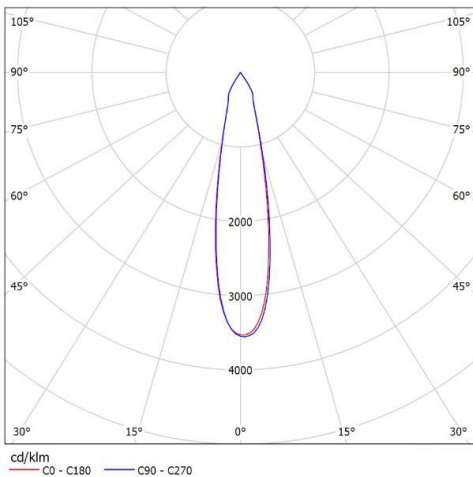
SL-09538B
K:2.24cd/lm,LED:CLL03X

Distribution Curve Flux

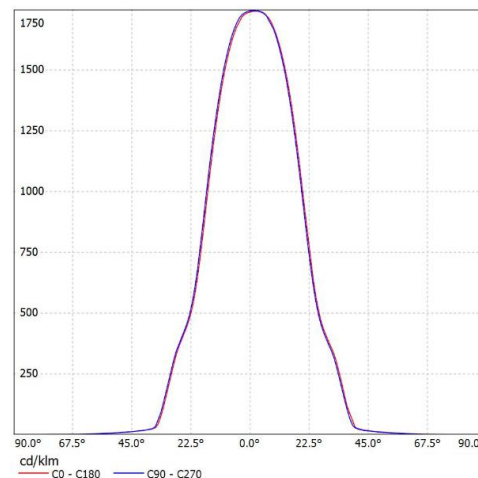
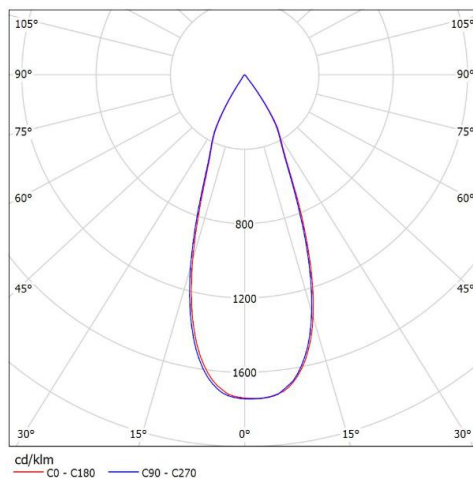
SL-095B&SL-CXM-18-HD-A



SL-09515B
K:9.41cd/lm,LED:V15



SL-09524B
K:4.21cd/lm,LED:V15



SL-09538B
K:2.09cd/lm,LED:V15

Package Description

SL-095B

Part NO.	Without pc cover		With pc cover		Box Size(cm)
	Number per Box (pcs)	Box Weigh(kg)	Number per Box (pcs)	Box Weigh(kg)	
SL-09515B	198	8.15	144	8.00	65 X 34 X53
SL-09524B	198	7.73	144	7.88	65 X 34 X53
SL-09538B	198	7.58	144	7.63	65 X 34 X53

Notes

- It is not allowed to scrub the reflective surface. If there is dust on the surface, please clean by soft cotton with little water.
 - It is forbidden to clean with industrial solvent such as ethanol.
 - Storage temperature: 0°C-40°C, and humidity:30%-95%.
 - Recommended operating temperature (PC) is <100°C.
 - Keep reflectors in package to void the dust.
 - Prohibit the reflector touch with acid or alkaline solvent
-

About Shinland

Shenzhen Shinland Co. Ltd,one of the longest and most professional company in lighting optical field,have 20 years experience.Different from other factory which only have simple process, all aspects included R&D,making mold,injection molding ,vacuum coating and market support are our company own vertically integrated production .

Insisting on 'Quality First, Service First' and pragmatic, enterprising spirit,building the market by quality, casting our brand by credibility and integrity ,Shinland now become the leading supplier of lighting optical solution in China.